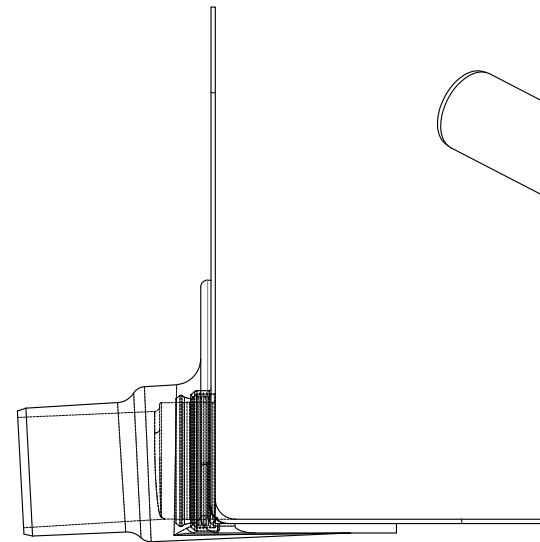
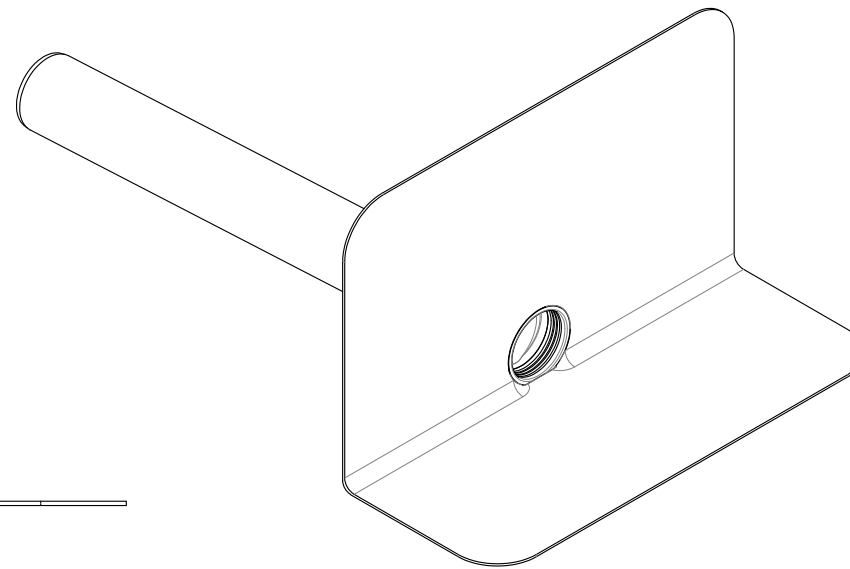


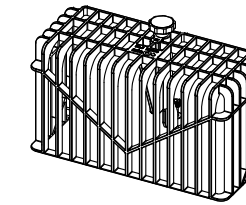
Elevation



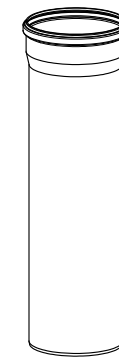
Section view



3D view



Leafguard



Extension Piece

Easy Flow RWO	Internal Diameter (mm)	Extension Piece (mm)	Flowrate (l/s) *
70mm	70	500 & 1000	0.6
100mm	100	500 & 1000	0.8

\*at 35mm head of water

