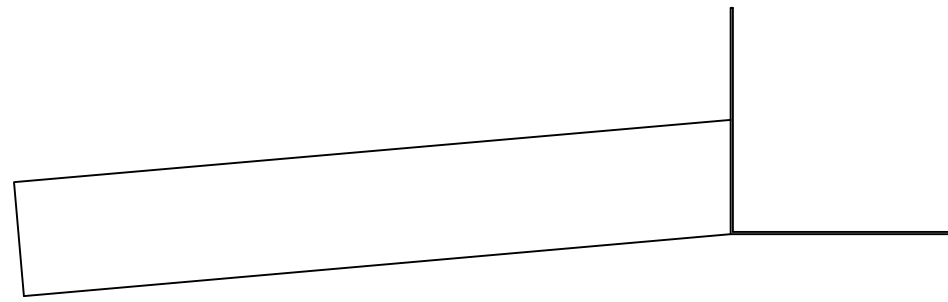
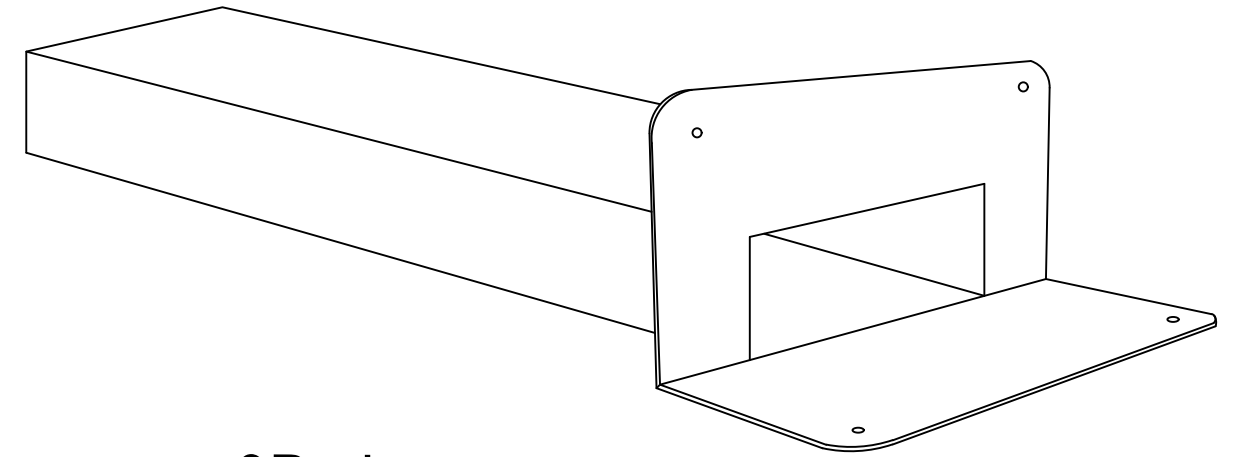




Elevation



Section view



3D view

PVC Box Scupper	Base x Width x Height (mm)	Spigot Length (mm)	Internal Height (mm)	Internal Width (mm)	External Height (mm)	External Width (mm)	Thickness (mm)	Flowrate (l/s)*
180 x 80	390 x 100 x 185	600	80	180	88	188	4	1.6
300 x 100	510 x 100 x 205	600	100	300	110	310	5	2.6

*at 35mm head of water

