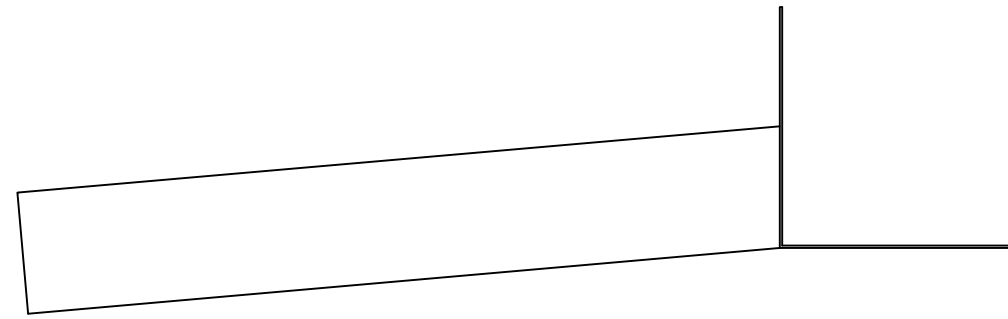
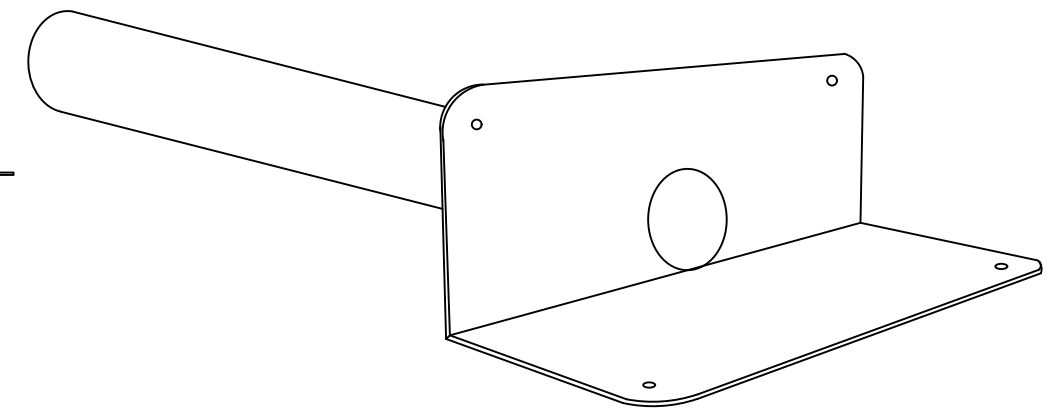


Elevation



Section view



3D view

Parapet Outlet	Base x Width x Height (mm)	Spigot Length (mm)	Internal Diameter (mm)	External Diameter (mm)	Thickness (mm)	Flowrate (l/s)*
63mm	340 x 150 x 125	500	56	63	3.5	0.5
75mm	340 x 150 x 125	500	68	75	3.5	0.6
90mm	340 x 150 x 160	500	83	90	3.5	0.8
110mm	340 x 150 x 160	500	103	110	3.5	0.9

\*at 35mm head of water

