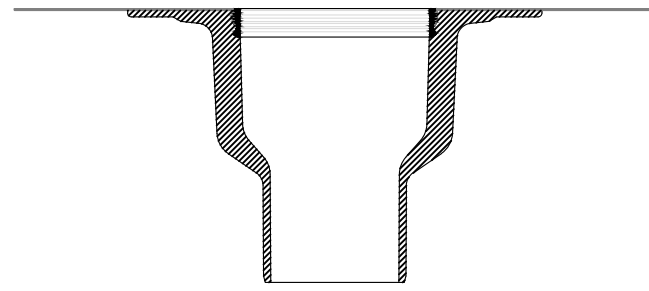
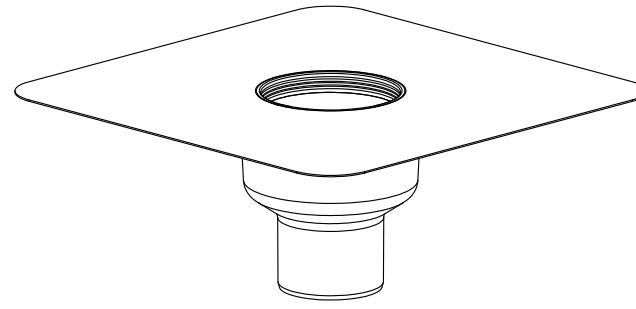


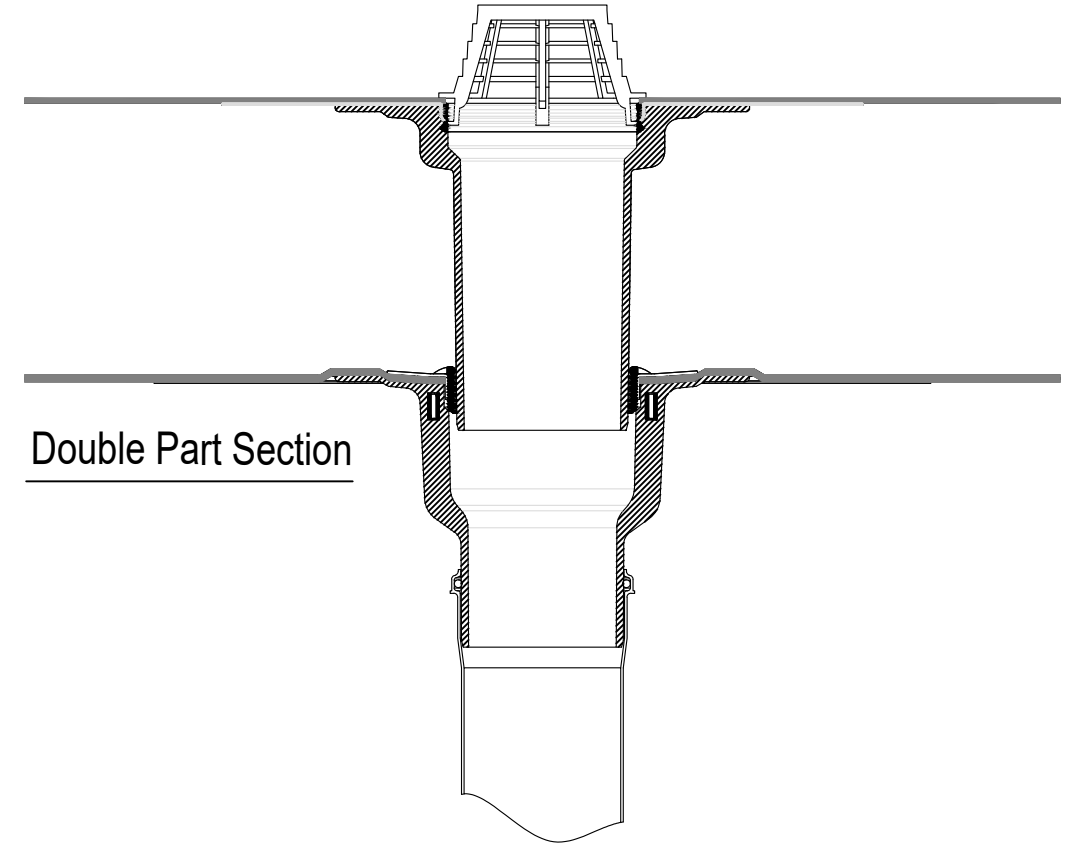
Plan view



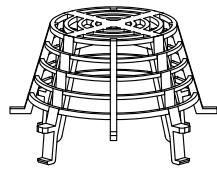
Section view -Trendy RWO



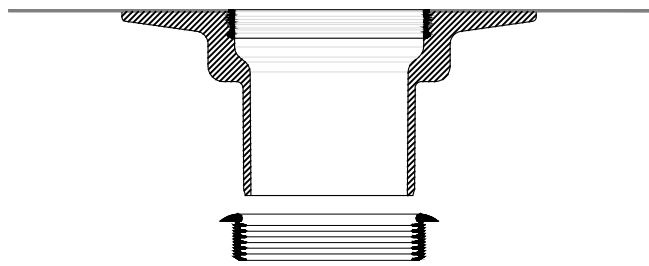
3D view



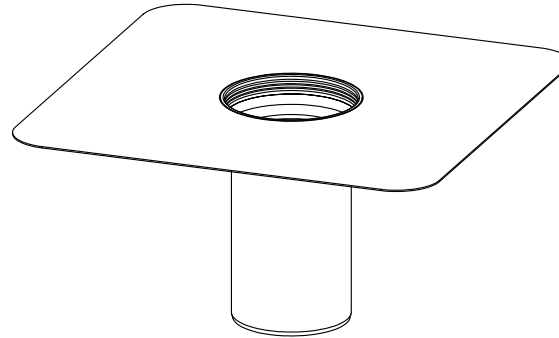
Double Part Section



Leafguard



Section view - Extension

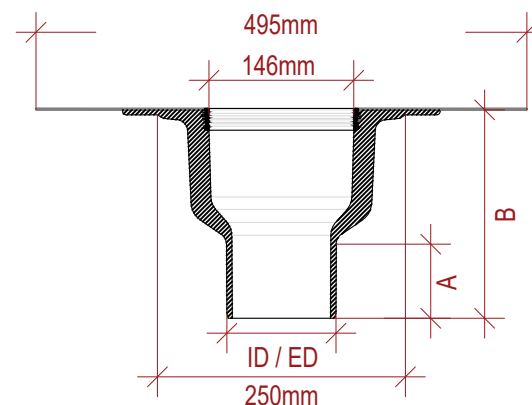
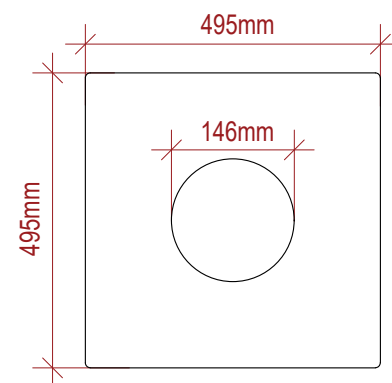


3D view

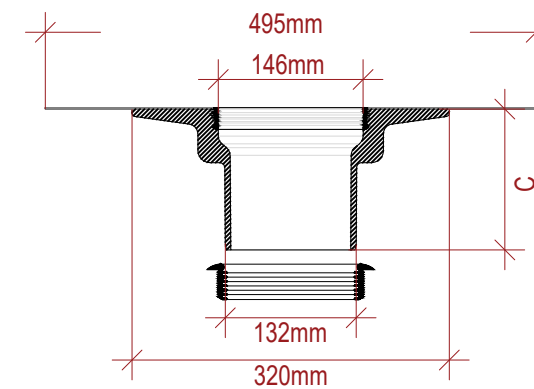
Trendy RWO	ID - Internal Diameter	ED - External Diameter	A	B	Flowrate l/s *
70mm	63	70	63	210	5.5
90mm	78	90	56	125	6.5
100mm	98	110	75	210	6.1
125mm	113	125	79	210	5.9

Extension Unit	
Insulation Range	C (mm)
60 - 150mm	183
120 - 220mm	251
60 - 320mm	355

*at 35mm head of water



Trendy RWO



Extension Unit