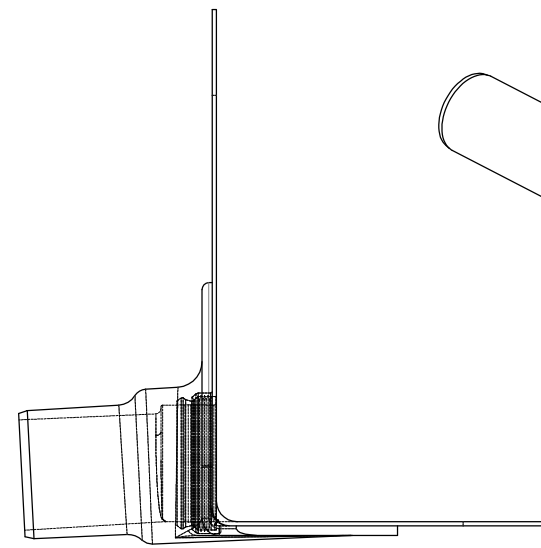
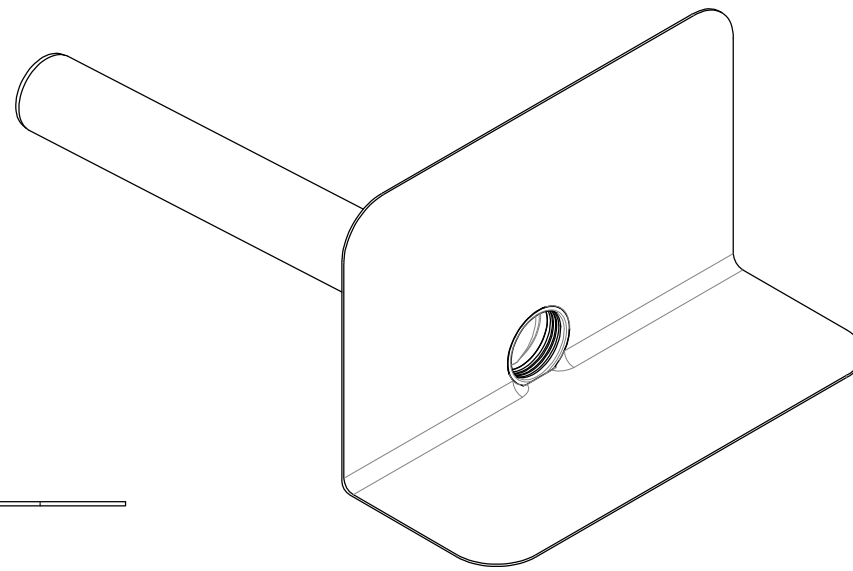


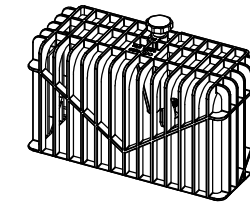
Elevation



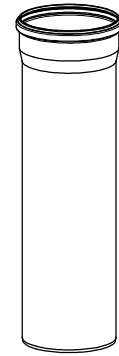
Section view



3D view



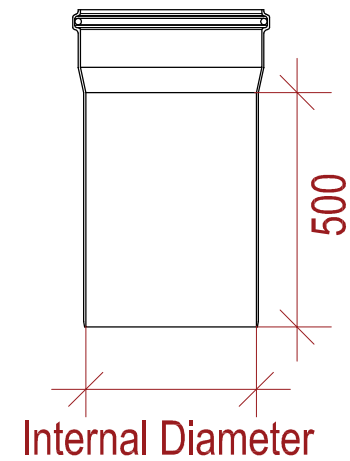
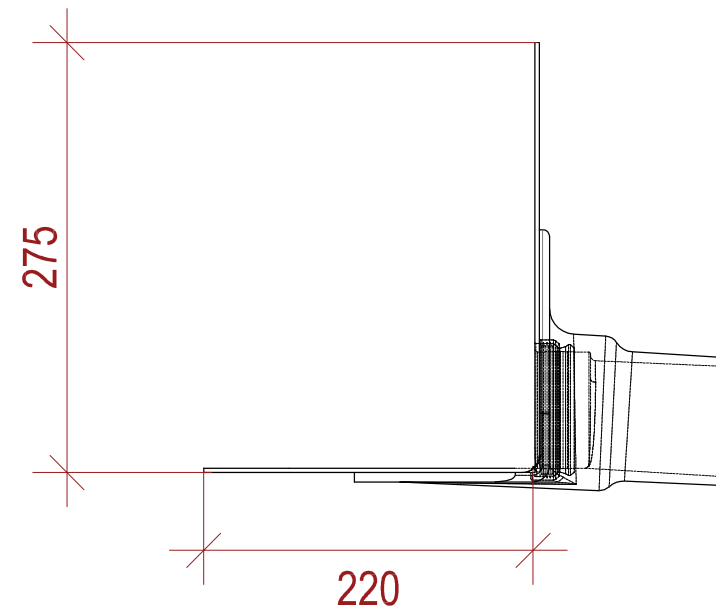
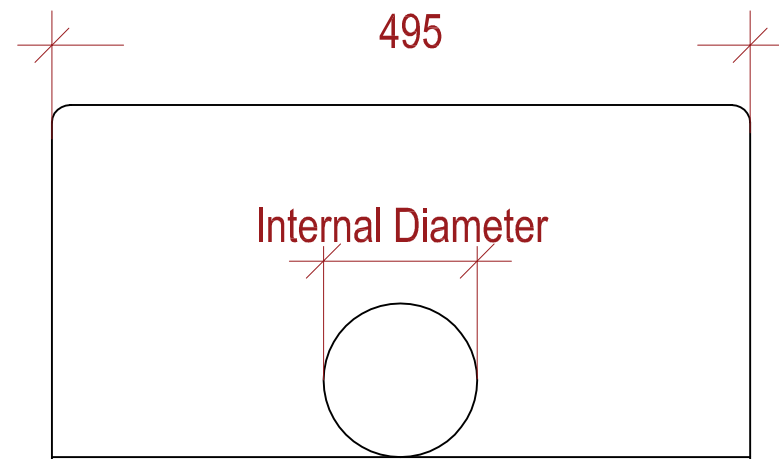
Leafguard



Extension Piece

Easy Flow RWO	Internal Diameter (mm)	Extension Piece (mm)	Flowrate (l/s) *
70mm	70	500 & 1000	0.6
100mm	100	500 & 1000	0.8

*at 35m head of water



A member of the IKO Group
Coney Green Road
Clay Cross
Chesterfield
S45 9HZ

Main Tel: 01257 488000
Technical: 01257 488012
Email: polymeric.technical.uk@iko.com
Web: www.ikogroup.co.uk



DRAWING TITLE:

IKO EASY FLOW RWO - Technical Info

DRAWING NO:

ASG-6gg

REVISION:

DATE:

24.05.2016

DRAWN BY:

HM

SCALE:

NTS

Waterproofing should be installed in accordance with BS 8000: Part 4:1989, BS 6229:2003 and IKO Polymeric fixing instructions. The details shown are indicative and for approval only and do not form part of any contract. Data sheets for all IKO Polymeric and IKO PLC products are available on request. Project specifications are available on request. Further information on all IKO Polymeric products and services as well as IKO PLC products can be obtained through the contact details printed below.