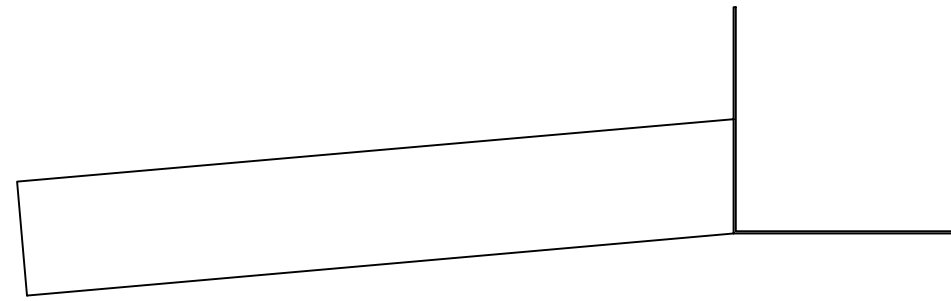
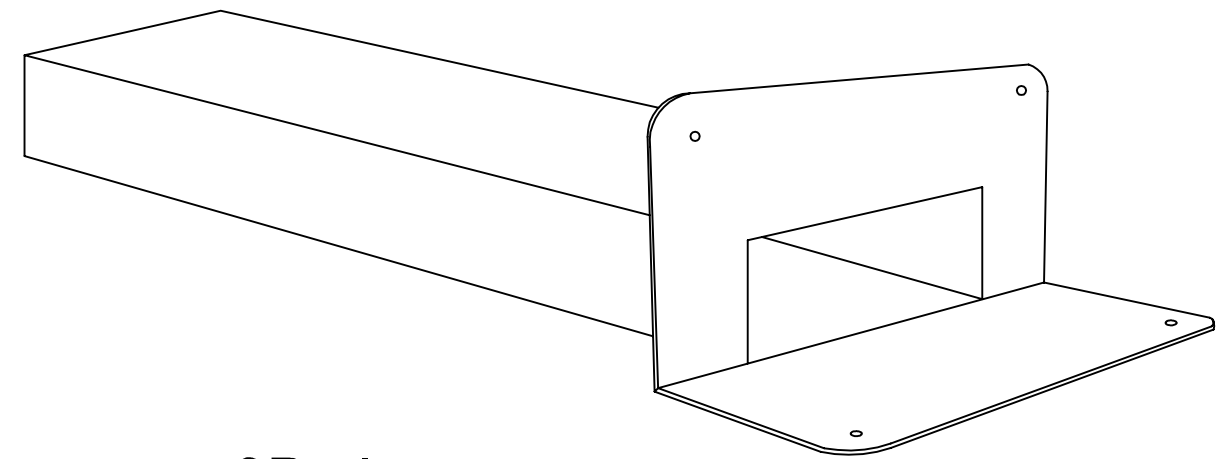




Elevation



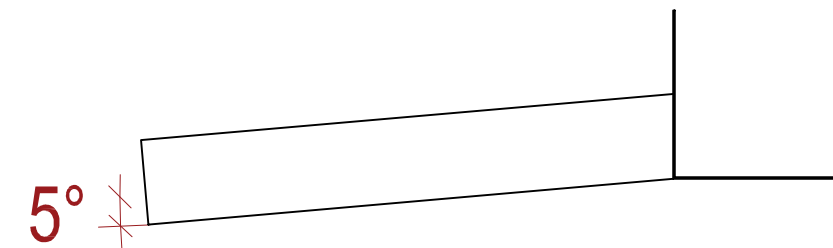
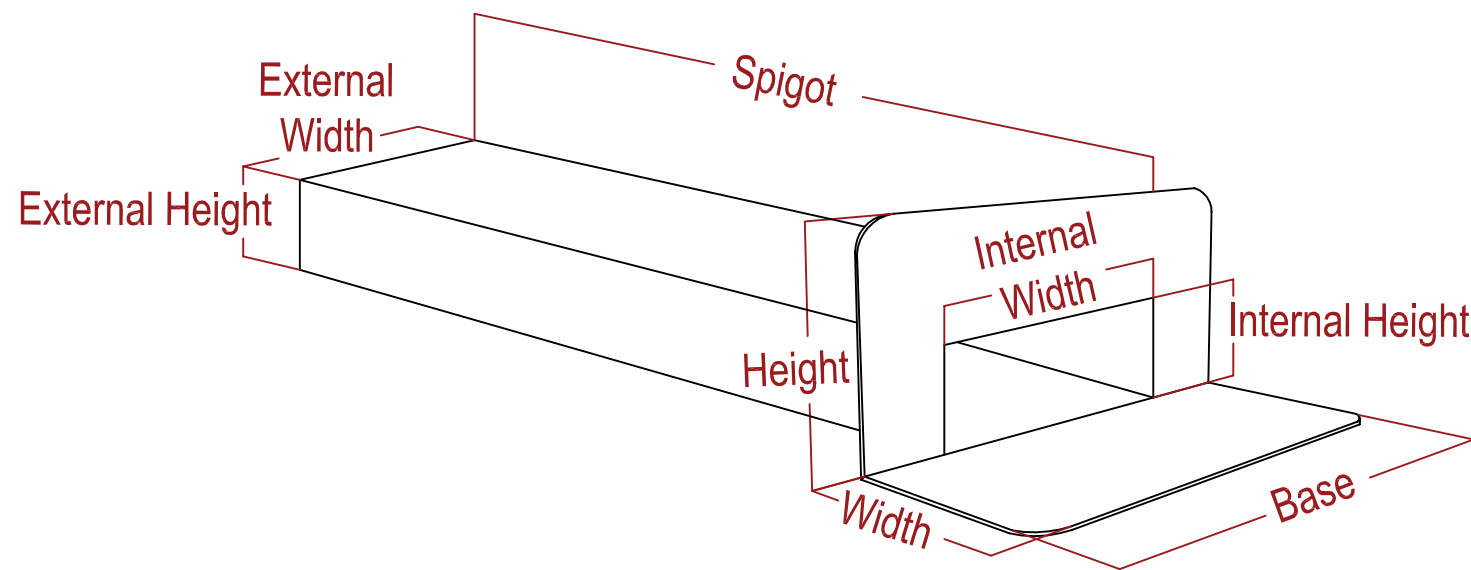
Section view



3D view

PVC Box Scupper	Base x Width x Height (mm)	Spigot Length (mm)	Internal Width (mm)	Internal Length (mm)	External Width (mm)	External Length (mm)	Thickness (mm)	Flowrate (l/s)*
180 x 80	390 x 100 x 185	600	80	180	88	188	4	1.6
300 x 100	510 x 100 x 205	600	100	300	110	310	5	2.6

*at 35m head of water



IKO polymeric
Excellence in Polymer Technology

A member of the IKO Group
Coney Green Road
Clay Cross
Chesterfield
S45 9HZ

Main Tel: 01257 488000
Technical: 01257 488012
Email: polymeric.technical.uk@iko.com
Web: www.ikogroup.co.uk

IKO armourplan
PVC

DRAWING NO: ASG-6ff

DATE: 24.05.2016

DRAWING TITLE: PARAPET OUTLET - Technical Info

REVISION:

DRAWN BY: HM

SCALE: NTS

Waterproofing should be installed in accordance with BS 8000: Part 4:1989, BS 6229:2003 and IKO Polymeric fixing instructions. The details shown are indicative and for approval only and do not form part of any contract. Data sheets for all IKO Polymeric and IKO PLC products are available on request. Project specifications are available on request. Further information on all IKO Polymeric products and services as well as IKO PLC products can be obtained through the contact details printed below.