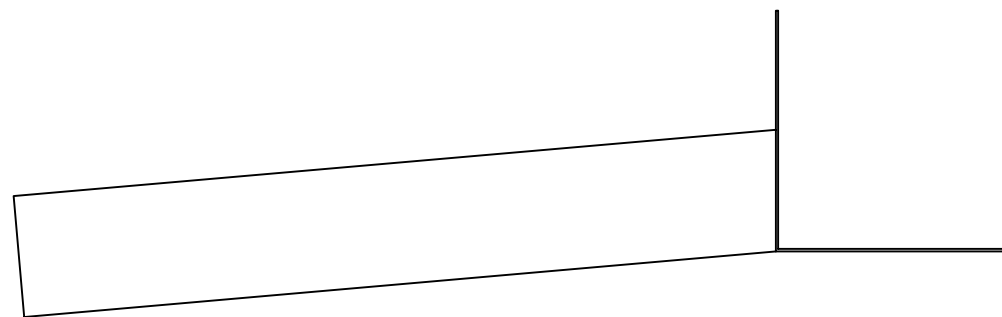
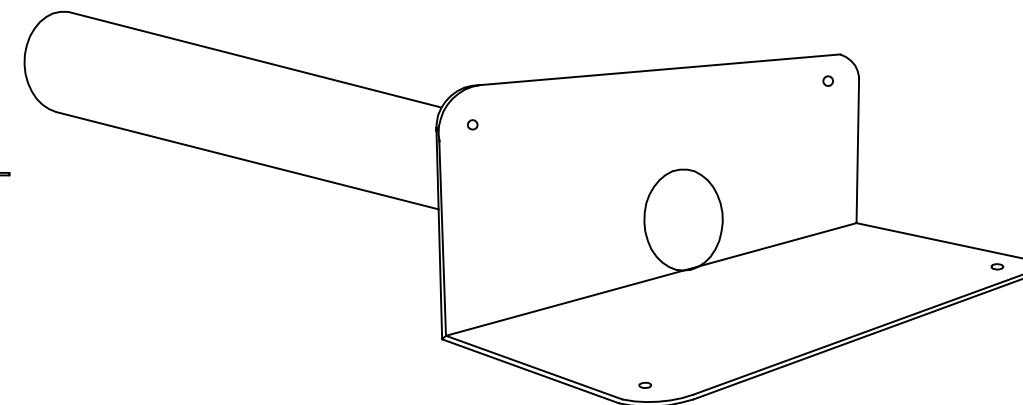


Elevation



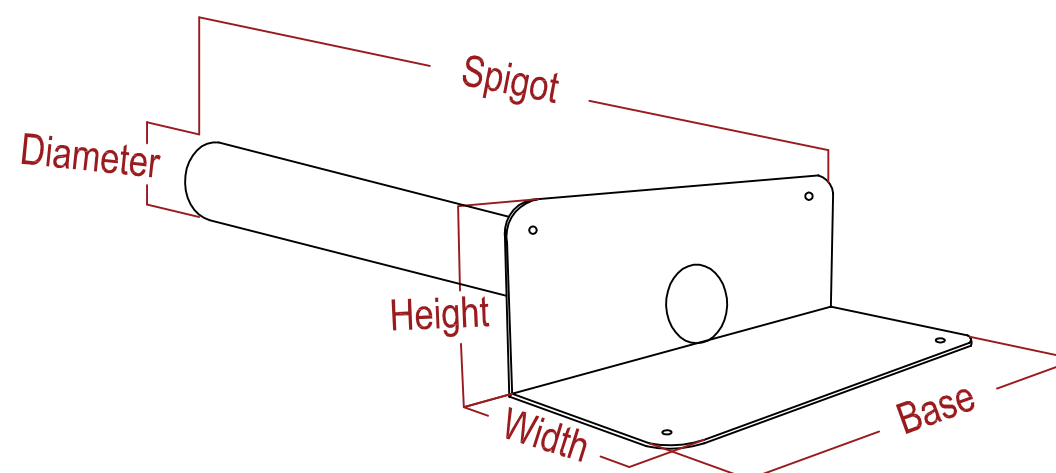
Section view



3D view

Parapet Outlet	Base x Width x Height (mm)	Spigot Length (mm)	Internal Diameter (mm)	External Diameter (mm)	Thickness (mm)	Flowrate (l/s)*
63mm	340 x 150 x 125	500	56	63	3.5	0.5
75mm	340 x 150 x 125	500	68	75	3.5	0.6
90mm	340 x 150 x 160	500	83	90	3.5	0.8
110mm	340 x 150 x 160	500	103	110	3.5	0.9

*at 35m head of water



A member of the IKO Group
Coney Green Road
Clay Cross
Chesterfield
S45 9HZ

Main Tel: 01257 488000
Technical: 01257 488012
Email: polymeric.technical.uk@iko.com
Web: www.ikogroup.co.uk



DRAWING TITLE:

PARAPET OUTLET - Technical Info

DRAWING NO:

ASG-6ee

REVISION:

DATE:

24.05.2016

DRAWN BY:

HM

SCALE:

NTS

Waterproofing should be installed in accordance with BS 8000: Part 4:1989, BS 6229:2003 and IKO Polymeric fixing instructions. The details shown are indicative and for approval only and do not form part of any contract. Data sheets for all IKO Polymeric and IKO PLC products are available on request. Project specifications are available on request. Further information on all IKO Polymeric products and services as well as IKO PLC products can be obtained through the contact details printed below.