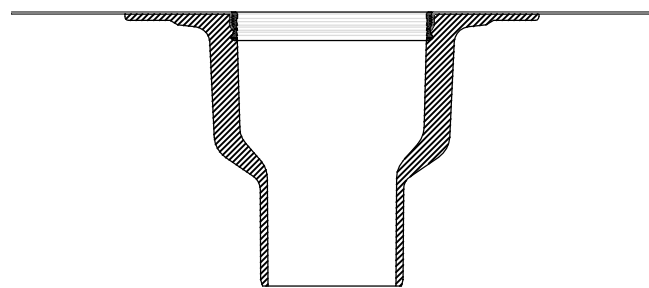
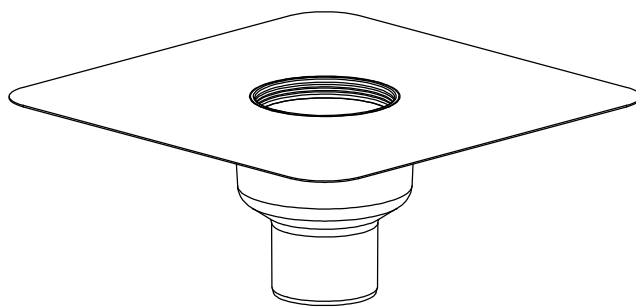


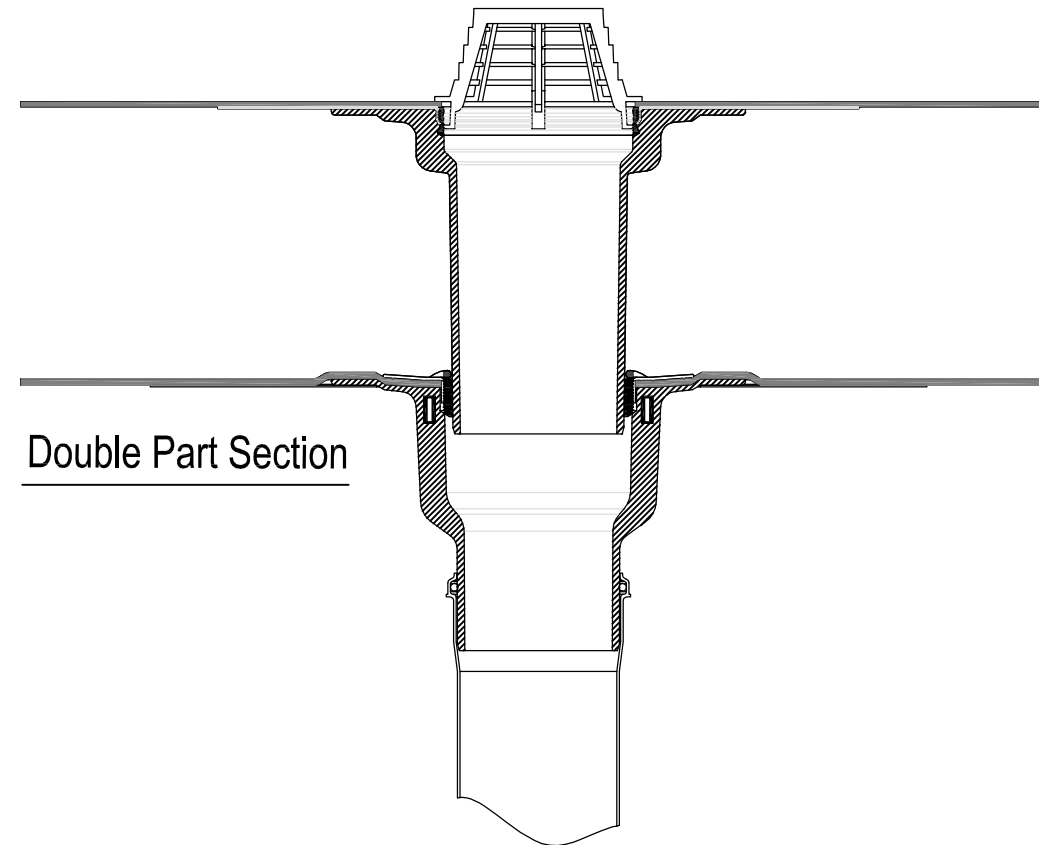
Plan view



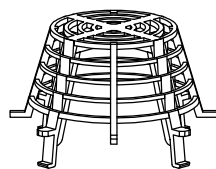
Section view - Trendy RWO



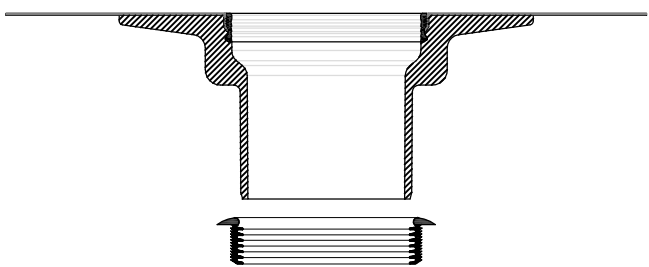
3D view



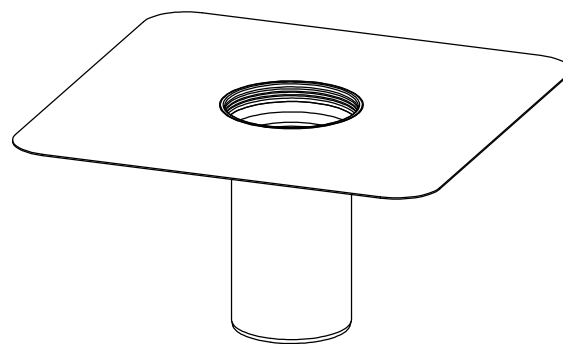
Double Part Section



Leafguard



Section view - Extension

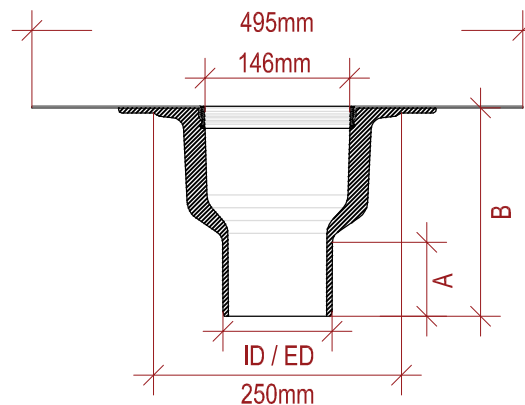
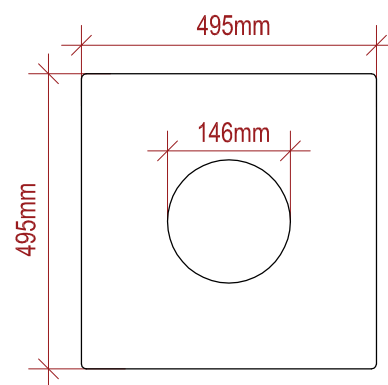


3D view

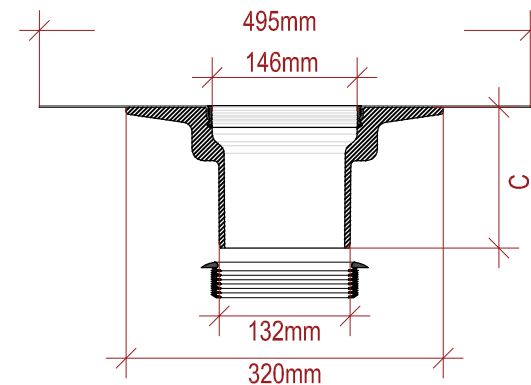
Trendy RWO	ID - Internal Diameter (mm)	ED - External Diameter (mm)	A (mm)	B (mm)	Flowrate (l/s) *
70mm	63	70	63	210	5.5
90mm	78	90	56	125	6.5
100mm	98	110	75	210	6.1
125mm	113	125	79	210	5.9

*at 35m head of water

Extension Unit	
Insulation Range	C (mm)
60 - 110mm	142
60 - 150mm	183
120 - 220mm	251
60 - 320mm	355



Trendy RWO



Extension Unit



A member of the IKO Group
Coney Green Road
Clay Cross
Chesterfield
S45 9HZ

Main Tel: 01257 488000
Technical: 01257 488012
Email: polymeric.technical.uk@iko.com
Web: www.ikogroup.co.uk



DRAWING TITLE: IKO TRENDY OUTLET - SINGLE & DOUBLE PART Technical Info

DRAWING NO: ASG-6cd

REVISION:

DATE: 24.05.2016

DRAWN BY: HM

SCALE: NTS

Waterproofing should be installed in accordance with BS 8000: Part 4:1989, BS 6229:2003 and IKO Polymeric fixing instructions. The details shown are indicative and for approval only and do not form part of any contract. Data sheets for all IKO Polymeric and IKO PLC products are available on request. Project specifications are available on request. Further information on all IKO Polymeric products and services as well as IKO PLC products can be obtained through the contact details printed below.