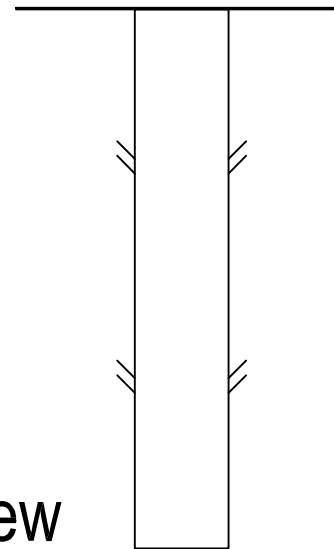
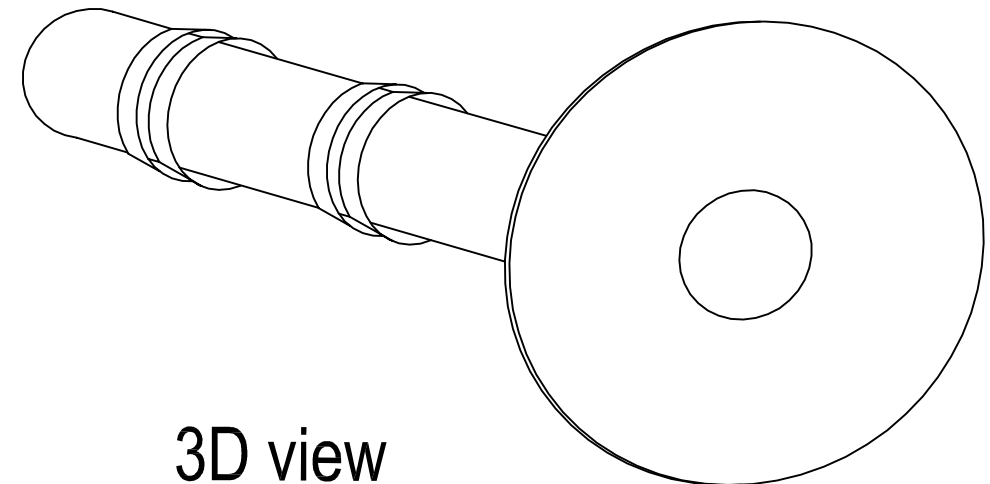


Plan view



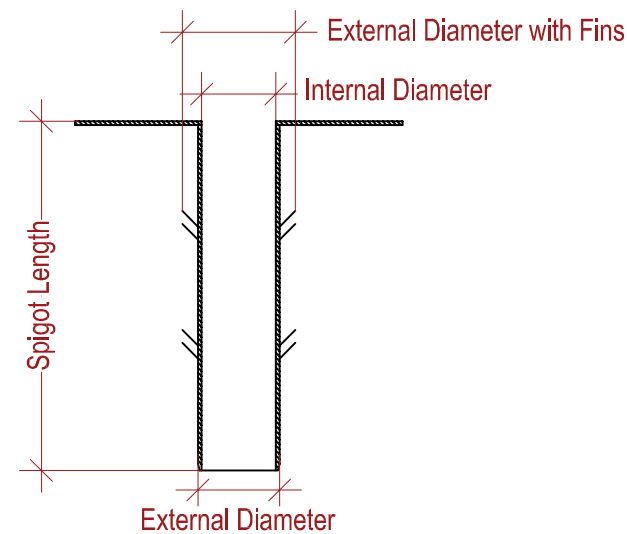
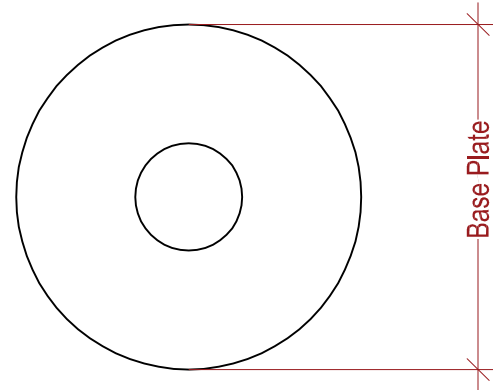
Section view



3D view

PVC Refurb	Base Plate (mm)	Spigot Length (mm)	Internal Diameter (mm)	External Diameter (mm)	External + Fins (mm)	Thickness (mm)	Flowrate (l/s) *
63mm	330	400	44	49	57	2.5	1.6
75mm	330	400	57	62	70	2.5	2.1
90mm	330	400	72	77	85	2.5	2.5
100mm	330	400	82	87	95	2.5	2.8
110mm	390	400	92	97	105	2.5	3
125mm	390	400	103	108	118	2.5	3.5
150mm	390	400	130	135	145	2.5	4.1

*at 35m head of water



Main Tel: 01257 488000
 Technical: 01257 488012
 Email: polymeric.technical.uk@iko.com
 Web: www.ikogroup.co.uk



DRAWING TITLE: PVC REFURB ROOF DRAIN - Technical Info

DRAWING NO: ASG-6bb

REVISION:

DATE: 24.05.2016

DRAWN BY: HM

SCALE: NTS

Waterproofing should be installed in accordance with BS 8000: Part 4:1989, BS 6229:2003 and IKO Polymeric fixing instructions. The details shown are indicative and for approval only and do not form part of any contract. Data sheets for all IKO Polymeric and IKO PLC products are available on request. Project specifications are available on request. Further information on all IKO Polymeric products and services as well as IKO PLC products can be obtained through the contact details printed below.

A member of the IKO Group
 Coney Green Road
 Clay Cross
 Chesterfield
 S45 9HZ