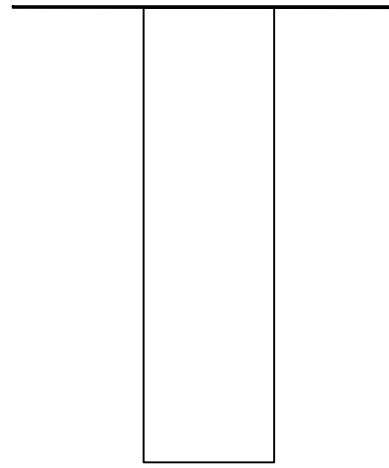
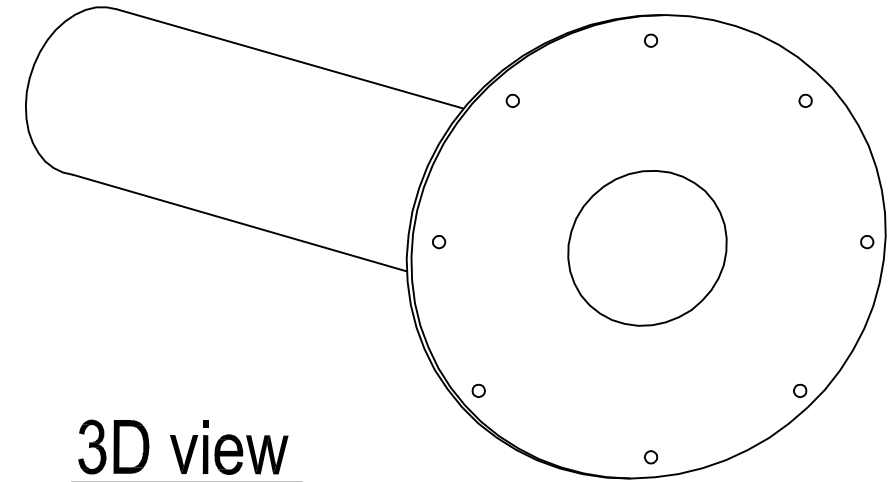


Plan view



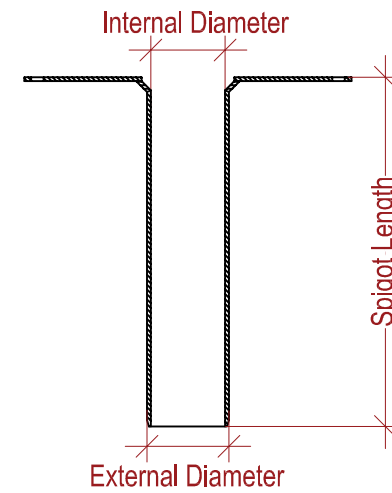
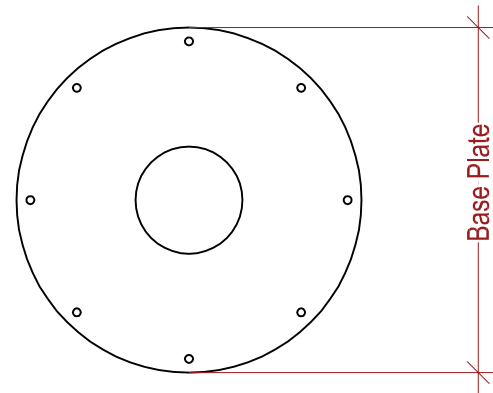
Section view



3D view

PVC	Base Plate (mm)	Spigot Length (mm)	Internal Diameter (mm)	External Diameter (mm)	Thickness (mm)	Flowrate (l/s) *
50mm	300	330	43	50	3.5	1
56mm	300	330	49	56	3.5	1.2
63mm	300	330	56	63	3.5	1.6
75mm	300	330	69	76	3.5	2.1
90mm	385	330	83	90	3.5	2.5
95mm	385	330	89	96	3.5	2.7
110mm	385	330	103	110	3.5	3
125mm	385	330	118	125	3.5	3.5
140mm	385	330	133	140	3.5	3.9
160mm	385	330	153	160	3.5	4.4

\*at 35m head of water



A member of the IKO Group  
Coney Green Road  
Clay Cross  
Chesterfield  
S45 9HZ

Main Tel: 01257 488000  
Technical: 01257 488012  
Email: polymeric.technical.uk@iko.com  
Web: www.ikogroup.co.uk



DRAWING TITLE:

PVC ROOF DRAIN - Technical Info

DRAWING NO:

ASG-6aa

REVISION:

DATE:

24.05.2016

DRAWN BY:

HM

SCALE:

NTS

Waterproofing should be installed in accordance with BS 8000: Part 4:1989, BS 6229:2003 and IKO Polymeric fixing instructions. The details shown are indicative and for approval only and do not form part of any contract. Data sheets for all IKO Polymeric and IKO PLC products are available on request. Project specifications are available on request. Further information on all IKO Polymeric products and services as well as IKO PLC products can be obtained through the contact details printed below.