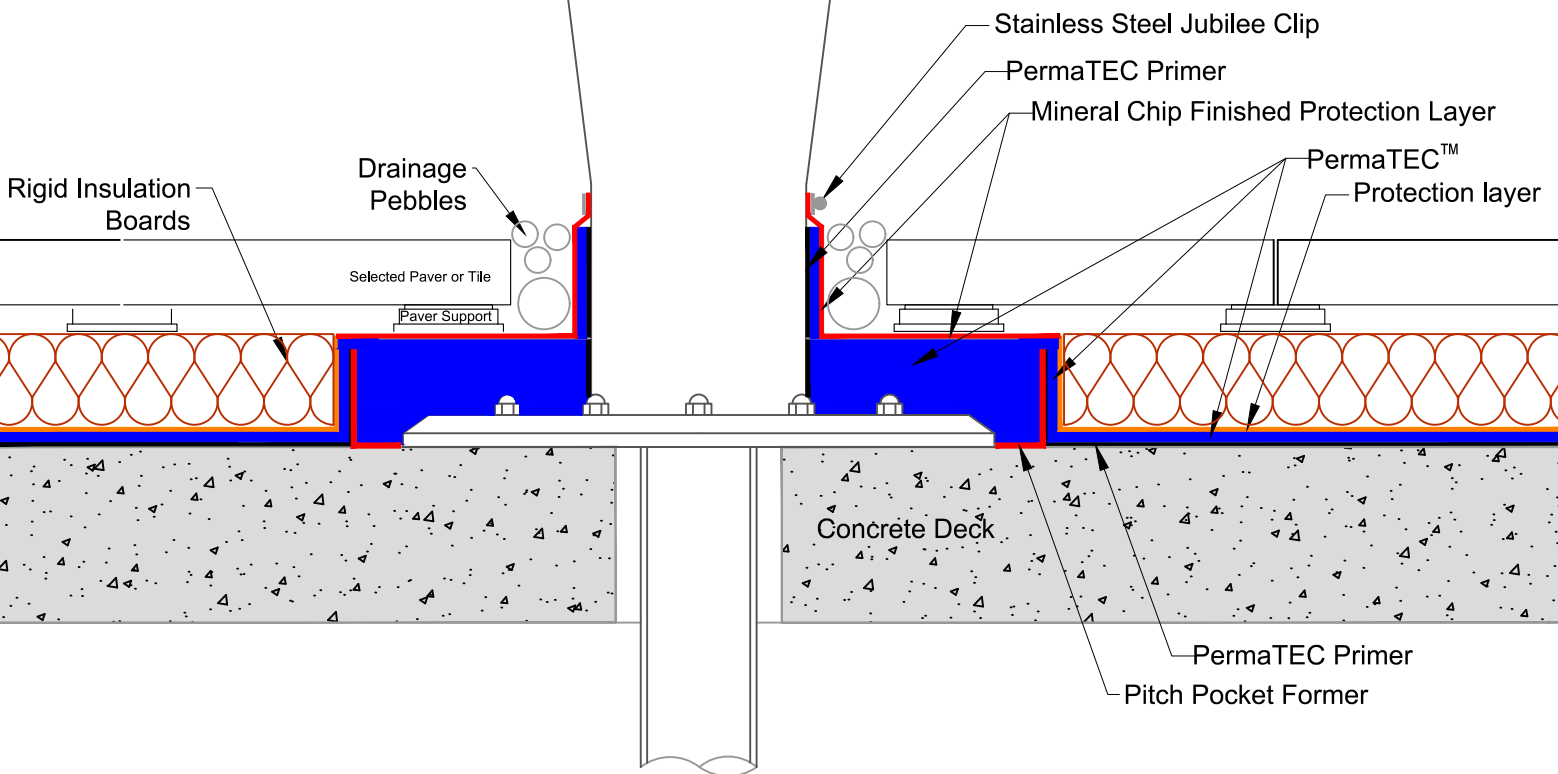
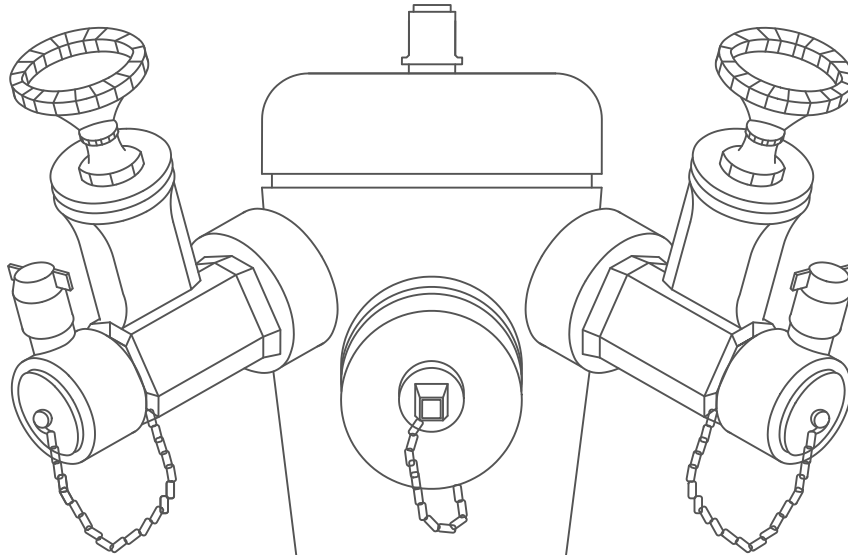


**CODEMARK™**

CM70010



# masterspec 4414AP

TITLE: 'HOCKEY STICK' PIPE PENETRATION DETAIL  
PermaTEC Inverted Roof

[www.asphaltech.co.nz](http://www.asphaltech.co.nz)  
TECHNICAL SERVICES.  
P.O. BOX 300681, Albany 0752, North Shore City  
Tel: 09 475 9725  
email: info@asphaltech.co.nz

Drawing: PT-INV 011B

MAY 2019

Not to Scale

Drawing is indicative only and subject to approval for use in the application required.